

ESP32 Specifications



Version 1.0
Copyright © 2015

About This Guide

This document introduces the user to the specification of ESP32 hardware, including the following topics:

Chapter	Title	Subject
Chapter 1	Overview	Provides an overview of ESP32, including featured solutions, MCU and advanced features, protocols and applications.
Chapter 2	Pin Definitions	Introduces the pin layout and relevant descriptions.
Chapter 3	Functional Description	Describes major functional modules and protocols applied on ESP32, including the CPU, flash and memory, timers and watchdogs, clock, radio, bluetooth, Wi-Fi, and low-power management.
Chapter 4	Peripheral Interfaces	Describes the peripheral interfaces integrated on ESP32.
Chapter 5	Electrical Specifications	Lists the electrical data of ESP32.
Chapter 6	Package Information	Illustrates the package details of ESP32.
Chapter 7	Supported Resources	Lists the reference documents and community resources of ESP32.
Appendix	Touch Sensor	Provides the touch sensor design and layout guideline.

Release Notes

Date	Version	Release notes
2015.12	V1.0	First release.

Note :

This current version is an early release to support initial product developers. The content is subject to change without advance notice.

Table of Contents

1. Overview.....	1
1.1. Featured Solutions	1
1.1.1. High Level of Integration.....	1
1.1.2. Ultra Low Power Solution.....	2
1.1.3. Self-contained Wi-Fi / BT Networking Solution.....	2
1.2. Basic Features	3
1.2.1. Wi-Fi.....	3
1.2.2. Bluetooth.....	3
1.2.3. CPU and Memory	3
1.2.4. Clocks and Timers.....	3
1.3. Advanced Features	4
1.3.1. Advanced Peripheral Interfaces.....	4
1.3.2. Security	4
1.4. Applications.....	5
1.5. Development Support	5
2. Pin Definition.....	6
2.1. Pin Layout	6
2.2. Pin Description	7
3. Function Description.....	10
3.1. Power Scheme.....	10
3.2. Boot Modes Configuration.....	11
3.3. CPU, Flash and Memory	11
3.3.1. CPU.....	11
3.3.2. Internal Memory	12
3.3.3. External Flash and SRAM.....	12
3.3.4. Memory Map.....	12
3.4. Timers and Watchdogs	13
3.4.1. Timers	13
3.4.2. Watchdogs.....	14
3.5. Clock	14
3.5.1. CPU Clock	14
3.5.2. RTC Clock.....	14
3.5.3. Audio PLL Clock	15
3.6. Radio	15
3.6.1. 2.4 GHz Receiver	15

3.6.2.	2.4 GHz Transmitter	15
3.6.3.	Clock Generator	16
3.7.	Bluetooth	16
3.8.	Wi-Fi.....	17
3.9.	Low-Power Management	18
4.	Peripheral Interfaces	20
4.1.	General Purpose Input / Output Interface (GPIO)	20
4.2.	Analog-to-Digital Converter (ADC)	20
4.3.	Ultra Low Noise Analog Pre-Amplifier.....	20
4.4.	Hall Sensor.....	20
4.5.	Digital-to-Analog Converter (DAC).....	21
4.6.	Temperature Sensor.....	21
4.7.	Touch Sensor	21
4.8.	Ultra-Lower-Power Coprocessor	22
4.9.	Ethernet MAC Interface.....	22
4.10.	SD / SDIO / MMC Host Controller.....	22
4.11.	Universal Asynchronous Receiver Transmitter (UART)	23
4.12.	I2C Interface.....	23
4.13.	I2S Interface	23
4.14.	Remote Controller.....	23
4.15.	Pulse Counter.....	24
4.16.	Pulse Width Modulation	24
4.17.	LED PWM.....	24
4.18.	Serial Peripheral Interface (SPI).....	24
5.	Electrical Specifications	25
5.1.	DC Electrical Characteristics	25
5.1.1.	Absolute Maximum Ratings.....	25
5.1.2.	Recommended Operating Conditions.....	25
5.1.3.	RF Power Consumption Specification.....	26
5.2.	Bluetooth Radio.....	27
5.2.1.	Receiver - Basic Data Rate.....	27
5.2.2.	Transmit - Basic Data Rate.....	28
5.2.3.	Receiver - Enhanced Data Rate.....	29
5.2.4.	Transmit - Enhanced Data Rate.....	30
5.3.	Bluetooth LE Radio.....	31
5.3.1.	Receiver.....	31
5.3.2.	Transmit.....	32

5.4. Wi-Fi Radio.....	33
6. Package Information.....	34
7. Supported Resources.....	35
7.1. Related Documentation.....	35
7.2. Community Resources.....	35
Appendix - Touch Sensor.....	36
I. Electrode Pattern.....	36
II. PCB Layout.....	37

Confidential



1. Overview

ESP32 is a complete, small form factor (SFF) 802.11 b/g/n/e/i (2.4GHz) WLAN plus BT4.2 combo solution optimized for low-power, mobile consumer electronics, wearable and Internet of Things (IOT) devices. ESP32 integrates all WLAN and BT functionality in a single package to support a low cost, layout-friendly implementation while allowing flexibility for platform specific customization.

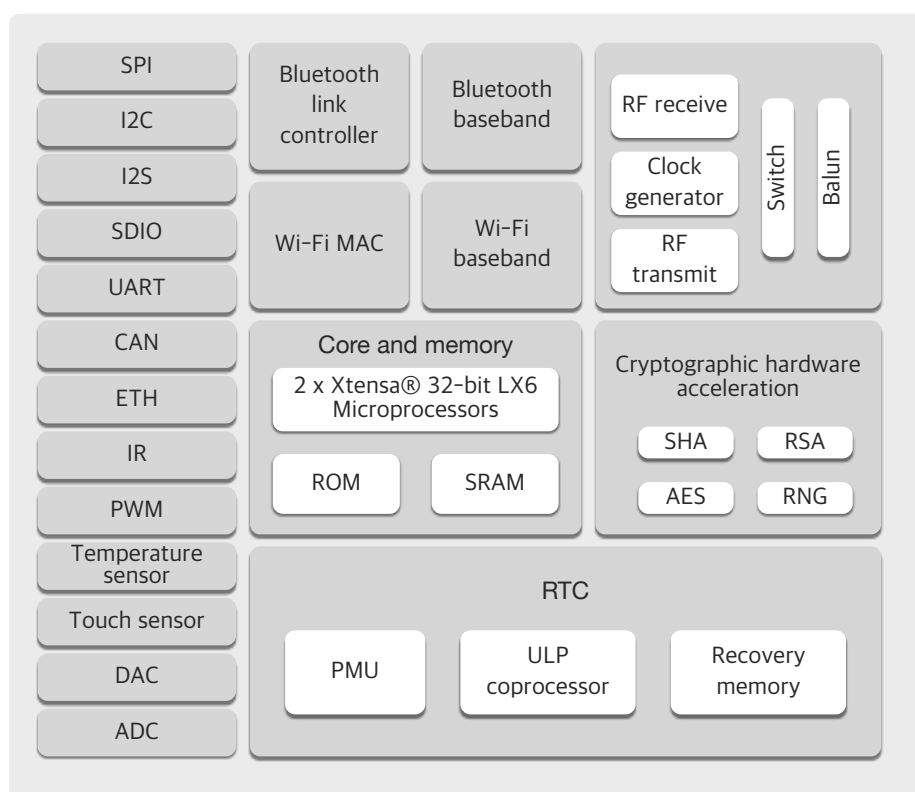


Figure 1-1. Function block diagram

1.1. Featured Solutions

ESP32 delivers the Wi-Fi plus bluetooth System-on-a-Chip (SoC) to meet the continuous demands for the high RF performance, low-power consumption and high-integrated solutions.

1.1.1. High Level of Integration

ESP32 is a highly integrated solution with less than 10 external components.



ESP32 integrates the complete transmit/receive RF functionality including the antenna switches, RF balun, power amplifier, low noise receive amplifier, filters, power management, and advanced calibration circuitries that allow the solution to dynamically adjust itself to adapt to external circuit imperfections.

The entire solution reduces Printed Circuit Board (PCB) area, time-to-market, and bill-of-material (BOM) costs while adding capabilities and processing power. The mass production of ESP32 does not require expensive and specialized Wi-Fi test equipment.

1.1.2. Ultra Low Power Solution

ESP32's ultra low power consumption radio architecture and proprietary power save technologies extend battery life in real-world applications, using the following features:

- fine granularity clock-gating,
- multiple low-power modes, and
- dynamic voltage scaling.

For instance, in a low-power IoT sensor hub application scenario, ESP32 is woken up periodically and only when a specified condition is detected; low duty cycle is used to minimize the amount of energy that the chip expends. The output power of the power amplifier can also be adjusted, so that an optimal trade off between the communication range, data rate and power consumption is achieved.

Note :

For more information, please refer to “Chapter 3.10 Low-Power Management”.

1.1.3. Self-contained Wi-Fi / BT Networking Solution

ESP32 integrates both Wi-Fi/BT/BLE radio and low power technology. ESP32 supports RTOS and the full stacks of WiFi 802.11n and BT4.2 standards. The integrated high-speed cache helps increase the system performance and optimize the system memory. A flexible RAM/ROM split architecture enables optional customization to meet customer specific needs and use cases.

ESP32 can be configured as a standalone application or as a slave device to a host MCU. As a slave device, ESP32 provides Wi-Fi and Bluetooth functionalities through the SPI / SDIO or I2C / UART interfaces.



1.2. Basic Features

1.2.1. Wi-Fi

- 802.11 b/g/n/e/i
 - 802.11 n (2.4 GHz), up to 150 Mbps
 - 802.11 i security features: pre-authentication and TSN
 - 802.11 e: Multiple queue management to fully utilize QoS traffic prioritization
 - Wi-Fi Protected Access (WPA)/WPA2
 - Wi-Fi Protected Setup (WPS)
- A-MPDU and A-MSDU aggregation
- Fragmentation and defragmentation
- SSL stacks with hardware accelerators
- Automatic beacon monitoring / scanning
- Infrastructure BSS Station mode/ Soft AP mode
- Wi-Fi Direct (P2P), P2P Discovery, P2P Group Owner mode and P2P Power Management
- UMA compliant and certified
- Antenna diversity and selection
- WMM power save U-APSD

1.2.2. Bluetooth

- CMOS single-chip fully-integrated radio and baseband
- Bluetooth Piconet and Scatternet
- Bluetooth 4.2 (BR/EDR/BLE)
- Adaptive Frequency Hopping(AFH)
- SMP
- Class-1, class-2 and class-3 transmitter without external power amplifier
- +10 dBm transmitting power
- NZIF receiver with -90 dBm sensitivity
- Up-to 4 Mbps high speed UART HCI
- SDIO / SPI HCI
- CVSD and SBC
- Low power consumption
- Minimum external component

1.2.3. CPU and Memory

- Xtensa® Dual-Core 32-bit LX6 microprocessors, up to 400MIPS
- 128 KB ROM
- QSPI Flash/SRAM, up to 4 x 16 MB
- Power supply: 2.5V to 3.6V
- 416 KB SRAM

1.2.4. Clocks and Timers

- 2 MHz to 40 MHz crystal oscillator
- Internal 8 MHz oscillator with calibration
- External 32 kHz oscillator for RTC with calibration
- Internal RC oscillator with calibration
- Two timer groups including 3 x 64-bit timers and 1 x watchdog in each group
- RTC timer with sub-second accuracy
- RTC watchdog



1.3. Advanced Features

1.3.1. Advanced Peripheral Interfaces

- 12-bit SAR ADC up to 16 channels
- 2 × 10-bit D/A converters
- 10 × touch sensors
- Temperature sensor
- 4 × SPI
- 2 × I2S
- 2 × I2C
- 2 × UART
- 1 host (SD/eMMC/SDIO)
- 1 slave (SDIO/SPI)
- Ethernet MAC interface with dedicated DMA and IEEE 1588 support
- CAN 2.0
- IR (TX/RX)
- Motor PWM
- LED PWM up to 16 channels

1.3.2. Security

- IEEE 802.11 standard security features all supported, including WPA, WPA/WPA2 and WAPI
- Secure boot
- Flash encryption
- 1024-bit OTP, up to 768-bit for customers
- Cryptographic hardware acceleration:
 - AES 128/192/256
 - HASH (SHA-2) library
 - RSA
 - Radom Number Generator



1.4. Applications

- Generic low power
 - IOT sensor hub
 - IOT loggers
- Audio & Video
 - Internet music players
 - Audio headsets
 - Wi-Fi + Bluetooth audio streaming devices
 - Video streaming from camera
- Wi-Fi + Bluetooth enabled
 - Over The Top (OTT) devices
 - smart devices
- Wi-Fi enabled
 - Loggers toys
 - Proximity sensing toys
 - speech recognition devices
- Home automation
 - Smart plugs
 - Smart lightings
- Industrial automation
 - Industrial wireless control
 - Mesh network
- Security ID tags
- Sensor network
 - Wi-Fi location-aware devices
 - Wearable electronics
 - Baby monitors
- Healthcare
 - Proximity movement monitoring trigger devices
 - Temperature sensing loggers

1.5. Development Support

- Firmware and SDK for fast on-chip programming
- Open source toolchains based on GCC

Note :

For more information, please refer to “Chapter 7 Supported Resources”.



2. Pin Definition

2.1. Pin Layout

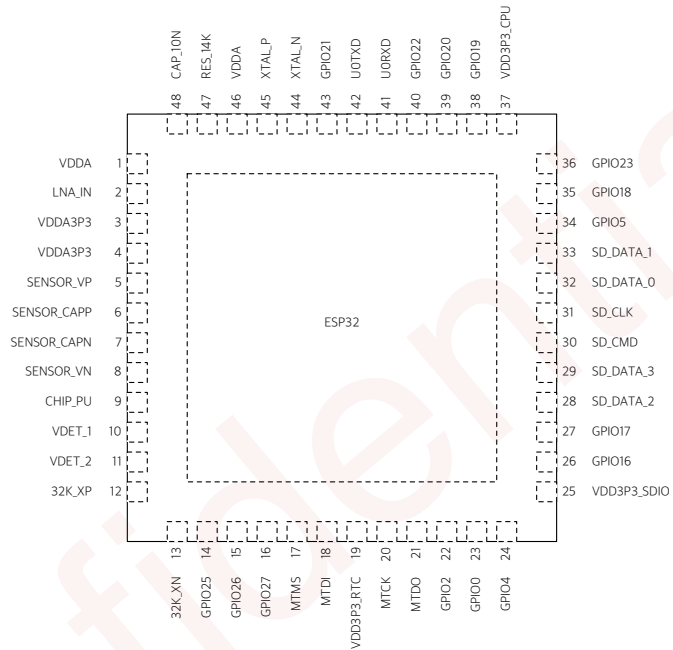


Figure 2-1. ESP32 Pin Layout

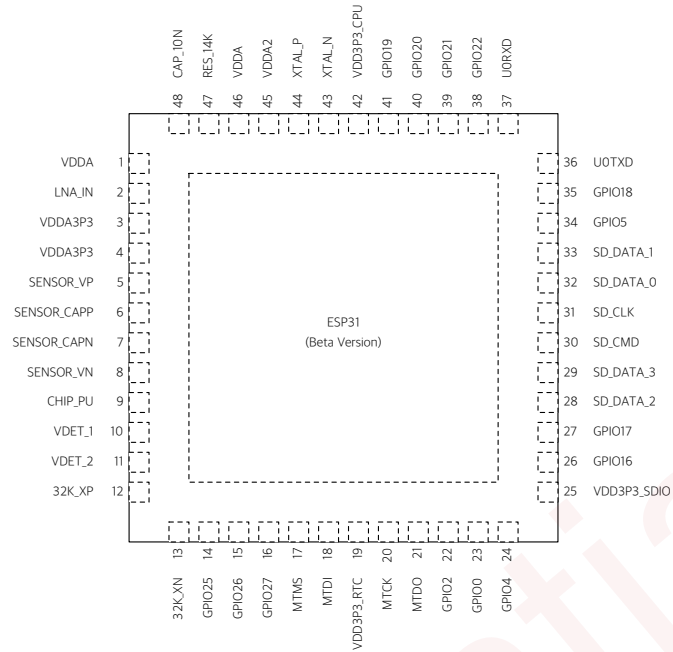


Figure 2-2. ESP31 (Beta Version) Pin Layout

Note :

We provide a small quantity of ESP31 (Beta Version) samples for some users.

2.2. Pin Description

Table 2-1. Pin Description

Name	ESP32	ESP31	Type	Function
Analog				
VDDA	1	The same	P	Analog power supply (2.3V - 3.6V)
LNA_IN	2		I/O	RF input and output
VDDA3P3	3		P	Amplifier power supply (2.3V - 3.6V)
VDDA3P3	4		P	Amplifier power supply (2.3V - 3.6V)
VDD3P3_RTC				
SENSOR_VP	5	The same	I	GPI36, SENSOR_VP, ADC1_CH0, RTC_GPIO0 Note: Connects 10nF capacitor from SENSOR_VP to SENSOR_CAPP.
SENSOR_CAPP	6		I	GPI37, SENSOR_CAPP, ADC1_CH1, RTC_GPIO1 Note: Connects 10nF capacitor from SENSOR_VP to SENSOR_CAPP.



Name	ESP32	ESP31	Type	Function
SENSOR_CAPN	7		I	GPI38, SENSOR_CAPN, ADC1_CH2, RTC_GPIO2 Note: Connects 10nF capacitor from SENSOR_VN to SENSOR_CAPN.
SENSOR_VN	8		I	GPI39, SENSOR_VN, ADC1_CH3, RTC_GPIO3 Note: Connects 10nF capacitor from SENSOR_VN to SENSOR_CAPN.
CHIP_PU	9		I	CHIP_PU Switch • CHIP_PU: Power on, chip works properly. • GND: Power off, chip works at the minimum power.
VDET_1	10		I	GPI34, VDET_1, ADC_CH6
VDET_2	11		I	GPI35, VDET_2, ADC_CH7
32K_XP	12		I	GPI032, 32K_XP (32.768 kHz crystal oscillator input), ADC1_CH4, TOUCH9, RTC_GPIO9
32K_XN	13		O	GPI033, 32K_XN (32.768 kHz crystal oscillator output), ADC1_CH5, TOUCH8, RTC_GPIO8
GPIO25	14	The same	I/O	GPIO25, DAC_1, ADC2_CH8, RTC_GPIO6
GPIO26	15		I/O	GPIO26, DAC_2, ADC2_CH9, RTC_GPIO7
GPIO27	16		I/O	GPIO27, ADC2_CH7, TOUCH7, RTC_GPIO17
MTMS	17		I/O	GPI014, ADC2_CH6, TOUCH6, RTC_GPIO16, MTMS, HSPICLK
MTDI	18		I/O	GPI012, ADC2_CH5, TOUCH5, RTC_GPIO15, MTDI, HSPIQ
VDD3P3_RTC	19		P	RTC IO power supply input (1.8V - 3.3V)
MTCK	20		I/O	GPI013, ADC2_CH4, TOUCH4, RTC_GPIO14, MTCK, HSPID, UOCTS
MTDO	21		I/O	GPI015, ADC2_CH3, TOUCH3, RTC_GPIO13, MTDO, HSPICSO, UORTS
GPIO2	22		I/O	GPIO2, ADC2_CH2, TOUCH2, RTC_GPIO12, HSPiWP
GPIO0	23		I/O	GPIO0, ADC2_CH1, TOUCH1, RTC_GPIO11, CLK_OUT1
GPIO4	24		I/O	GPIO4, ADC2_CH0, TOUCH0, RTC_GPIO10, HSPiHD
VDD3P3_SDIO				
VDD3P3_SDIO	25		P	1.8V power supply output
GPIO16	26		I/O	GPIO16, HS1_DATA4
GPIO17	27		I/O	GPIO17, HS1_DATA5
SD_DATA_2	28		I/O	GPIO9, SD_DATA2, SPIHD, HS1_DATA2, U1RXD
SD_DATA_3	29	The same	I/O	GPIO10, SD_DATA3, SPIWP, HS1_DATA3, U1TXD
SD_CMD	30		I/O	GPIO11, SD_CMD, SPICSO, HS1_CMD, U1RTS
SD_CLK	31		I/O	GPIO6, SD_CLK, SPICLK, HS1_CLK, U1CTS



Name	ESP32	ESP31	Type	Function
SD_DATA_0	32		I/O	GPIO7, SD_DATA0, SPIQ, HS1_DATA0
SD_DATA_1	33		I/O	GPIO8, SD_DATA1, SPID, HS1_DATA1
GPIO5	34	The same	I/O	GPIO5, VSPIC0, HS1_DATA6
GPIO18	35		I/O	GPIO18, VSPICLK, HS1_DATA7
GPIO23	36	-	I/O	GPIO23
VDD3P3_CPU				
VDD3P3_CPU	37	42	P	CPU IO power supply input (1.8V - 3.3V)
GPIO19	38	41	I/O	GPIO19, VSPIQ, HS2_DATA2
GPIO20	39	40	I/O	GPIO20, VSPID, HS2_DATA3
GPIO22	40	38	I/O	GPIO22, VSPIWP, HS2_CLK
U0RXD	41	37	I/O	GPIO3, U0RXD, CLK_OUT2, HS2_DATA0
U0TXD	42	36	I/O	GPIO1, U0TXD, CLK_OUT3, HS2_DATA1
GPIO21	43	39	I/O	GPIO21, VSPICLK, HS2_CMD
Analog				
XTAL_N	44	43	O	External crystal output
XTAL_P	45	44	I	External crystal input
VDDA	46		P	Digital power supply for PLL (2.3V - 3.6V)
RES_14K	47	The same	I	Connects with a 14kΩ series resistor to the ground
CAP_10N	48		I	Connects with a 10nF series capacitor to the ground
VDDA2	-	45	P	Second digital power supply (2.3V - 3.6V)



3. Function Description

This chapter describes the functions implemented in ESP32.

3.1. Power Scheme

The power scheme of ESP32 is shown as Figure 3-1 and Figure 3-2.

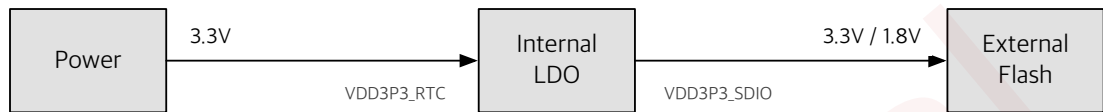


Figure 3-1. Power scheme [1]

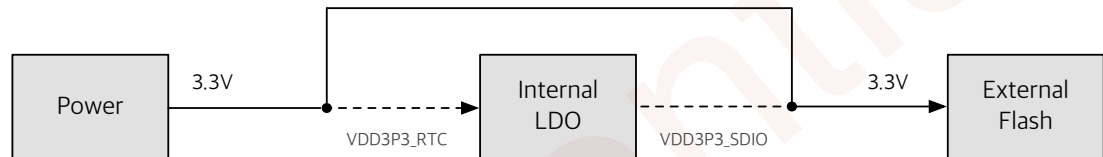


Figure 3-2. Power scheme [2]

ESP32 GPIO pins are divided into three power domains supplied by three power pins (see Table 2-1), which also have the following functions:

VDD3P3_RTC The power supply for RTC circuits
The input of the internal LDO

VDD3P3_SDIO The output of the internal LDO
When the internal LDO is applied as shown in Figure 3-1, it can be configured as 1.8V or the same voltage of **VDD3P3_RTC** (3.3V).

- In the normal mode, the internal LDO keeps stable.
- In the deep sleep mode, the internal LDO is automatically disabled.

When **VDD3P3_SDIO** is connected to the same PCB net together with **VDD3P3_RTC** as shown in Figure 3-2, the internal LDO is automatically disabled.

VDD3P3_CPU The power supply for CPU.



3.2. Boot Modes Configuration

ESP32 provides strapping pins which are sampled during system reset. Pull-up/pull-down resistors on strapping pins determine the voltages of these pins during power on and configures the device into specific boot modes and sets the voltage of **VDD3P3_SDIO**.

Please refer to Table 3-1 for detailed boot modes configuration by strapping pins.

Table 3-1. Strapping Pin List

Voltage of Internal LDO (VDD3P3_SDIO)			
Pin	Default	3.3V	1.8V
MTDI	Pull-down	0	1
Bootling Strapping Configuration			
Pin	Default	SPI Boot	Download Boot
GPIO0	Pull-up	1	0
U0TXD	Pull-up	1	x
GPIO2	Pull-down	x	0
GPIO4	Pull-down	x	x
MTDO	Pull-up	x	x
GPIO5	Pull-up	1	x

For example, if U0TXD, GPIO2, and GPIO5 are floating, then GPIO0 determines which boot mode is used.

If GPIO0 is high, the device is switched to SPI Boot mode. If GPIO0 is low, the device is switched to Download Boot mode).

3.3. CPU, Flash and Memory

3.3.1. CPU

ESP32 contains two low-power Xtensa® 32-bit LX6 microprocessors with the following features.

- 5-stage pipeline to support the clock frequency of 80 MHz and 160 MHz.
- 16/24-bit Instruction Set provides high code-density.
- Supports DSP instructions, such as 32-bit Multiplier, 32-bit Divider, and 40-bit MAC.
- Supports 32 interrupt vectors from about 80 interrupt sources.

ESP32 dual-core CPU includes the following interfaces.

Xtensa RAM/ROM	Instruction and data
Xtensa DPort Local Bus	Fast register access
Processor Interface with AHB-Lite bus bridge	Access peripherals



JTAG	Debugging
32 Interrupts	Interrupts from the external and internal sources

3.3.2. Internal Memory

ESP32 internal memory includes:

- 128 kBytes ROM for booting and core functions. The two cores have dedicated ROM blocks.
- 416 kBytes on-chip SRAM which are split into 13 blocks of 32 kBytes. Each block of SRAM has an arbiter to mitigate the access conflicts among different CPUs and AHB buses.
- 8 kBytes SRAM in RTC, which is called recovery memory and can be used for data storage during the deep sleep mode.
- 1 kbits of EFUSE, of which 256 bits are used for the system (MAC address and chip configuration) and the remaining 768 bits are reserved for customer applications, including Flash-Cryption and Chip-ID.

3.3.3. External Flash and SRAM

ESP32 supports 4 x 16 MBytes external QSPI flash and SRAM with hardware encryption based on AES-256 to protect the developer's program and data.

ESP32 accesses external QSPI flash and SRAM by the high-speed caches. Up to 8 MBytes of external flash are memory mapped into the CPU code space, supporting 8, 16 and 32-bit access. Code execution is supported. Up to 1 MBytes of external flash and SRAM are memory mapped into the CPU data space, supporting 8, 16 and 32-bit access. Data read is supported on the flash and SRAM. Data read/write is supported on the SRAM.

3.3.4. Memory Map

The memory and register maps of ESP32 is shown in Table 3-2.

Table 3-2. Memory and Register Maps

Blocks	Description	Start Address	Alternative Start Address	Size (Byte)
Memory Map				
IROM	-	0x40000000	-	64k
IRAM	-	0x40040000	-	128k
DRAM	-	0x3FFD8000	-	160k
ICACHE	-	0x40080000	-	3.5M
DCACHE	-	0x3FE00000	-	512k
RTC Memory	-	0x60021000	0x3FF61000	8k
SoC Register Map				
UART_BASE	UART0	0x60000000		4k Space



Blocks	Description	Start Address	Alternative Start Address	Size (Byte)
HSPI_BASE	HSPI (SPI2)	0x60002000	0x3FF42000	4k Space
SPI_BASE	SPI (SPI1)	0x60003000	0x3FF43000	4k Space
GPIO_BASE	-	0x60004000	0x3FF44000	4k Space
TIMERS_BASE	Legacy Timers	0x60007000	0x3FF47000	4k Space
RTCCNTL_BASE	RTC registers	0x60008000	0x3FF48000	4k Space
RTCIO_BASE	RTC IO Mux	0x60008400	0x3FF48400	4k Space
IO_MUX_BASE	Main IO Mux	0x60009000	0x3FF49000	4k Space
WDG_BASE	Legacy Watchdog	0x6000A000	0x3FF4A000	4k Space
UHCI1_BASE	UART1 DMA	0x6000C000	0x3FF4C000	4k Space
I2S_BASE	I2S	0x6000F000	-	4k Space
UART1_BASE	UART1	0x60010000	-	4k Space
UHCIO_BASE	UART0 DMA	0x60014000	0x3FF54000	4k Space
RMT_BASE	Remote Controll	0x60016000	0x3FF56000	4k Space
PCNT_BASE	Pulse Counter	0x60017000	0x3FF57000	4k Space
LEDC_BASE	LED PWM	0x60019000	0x3FF59000	4k Space
EFUSE_BASE	Efuse	0x6001A000	0x3FF5A000	4k Space
PWM_BASE	Motor PWM	0x6001C000	0x3FF5C000	4k Space
TIMERGROUP_BASE	Timer Group1	0x6001D000	0x3FF5D000	4k Space
TIMERGROUP1_BASE	Timer Group1	0x6001E000	0x3FF5E000	4k Space
PRO_DPORT	CPU configuration	-	0x3FF00000	4k Space
SDHOST_BASE	SD/SDIO Host	0x61000000	-	1M Space

3.4. Timers and Watchdogs

3.4.1. Timers

There are three types of timers in ESP32.

- **CPU internal timers:** There are three timers in each CPU core. These timers are all 32-bit free-running counters. A target value can be programmed to trigger an interrupt.
- **General-purpose timers:** ESP32 includes 2 sets of 64-bit timers and 4 sets of 32-bit timers which can be configured to operate independently as follows:
 - Count up and reach the target value to generate a one-shot interrupt.
 - Count down and auto-reload to generate periodic interrupts.
 - 8-bit prescaler.



- **RTC timer:** The RTC integrates a free-running low-power 48-bit counter. This counter is started upon power-on. The user can configure a target value for the counter to generate a wake-up or interrupt signal.
 - This counter can be used to implement anti-rollback.

3.4.2. Watchdogs

The watchdog timer is used to re-assert control of the system, when the system fails due to software errors or failure of external devices. ESP32 has three hardware watchdogs — two system watchdogs and an RTC watchdog.

The system watchdogs run on the AHP clock (usually 80 MHz), while the RTC watchdog runs on the RTC clock (usually 32 kHz - 100 kHz).

These three watchdogs have the following features:

- 32-bit timer down counter with a programmable load register.
- **Lock register:** Once the watchdog timer has been configured, the lock register can be written to prevent the timer configuration from being inadvertently altered.
- **Three configurable stages:** The watchdog timer can be configured to generate an interrupt to the CPUs on its first time-out, to generate a local reset signal on its second time-out, and to generate a global reset signal on its third time-out. The local reset signal is used to reset one or both of the CPU cores. The global reset signal will reboot the whole system.
- **Boot up:** One of the system watchdogs and the RTC watchdog are enabled on the 3rd stage by default. If the boot process from an SPI flash does not complete within a predetermined time period, the watchdog will reboot the whole system.

3.5. Clock

3.5.1. CPU Clock

Upon reset, an external crystal clock source (20 MHz - 60 MHz), after division by 2, is selected as the default CPU clock. The external crystal clock source also connects to a PLL to generate a high frequency clock (typically about 160 MHz).

In addition to this, ESP32 has an internal 8 MHz oscillator, of which the accuracy is guaranteed by design and is stable over temperature (within 1% accuracy). Hence, the application can then select from the external crystal clock source, the PLL clock or the internal 8 MHz oscillator. The selected clock source drives the CPU clock, directly or after division, depending on the application.

3.5.2. RTC Clock

The RTC clock has five possible sources:

- external low speed (32 kHz) crystal clock,
- external crystal clock divided by 4,
- internal RC oscillator (typically about 150 kHz and adjustable),



- internal 8 MHz oscillator, and
- internal 31.25 kHz clock (derived from the internal 8 MHz oscillator divided by 256).

When the chip is in the normal power mode and needs a faster CPU clock, the application can choose the external high speed crystal clock divided by 4 or the internal 8 MHz oscillator. When the chip operates in the low power mode, the application chooses the external low speed (32 kHz) crystal clock, the internal RC oscillator, the internal 8 MHz oscillator or the internal 31.25 kHz clock.

3.5.3. Audio PLL Clock

The audio clock is generated by the ultra low noise fractional-N PLL. The output frequency of the audio PLL is programmable, from 16 MHz to 128 MHz, given by the following formula:

$$f_{\text{out}} = \frac{f_{\text{xtal}} N_{\text{div}}}{M_{\text{div}} 2^{K_{\text{div}}}}$$

where f_{out} is the output frequency, f_{xtal} is the frequency of the crystal oscillator, and N_{div} , M_{div} and K_{div} are all integer values, configurable by registers.

3.6. Radio

The ESP32 radio consists of the following main blocks:

- 2.4 GHz receiver
- 2.4 GHz transmitter
- bias and regulators
- balun and transmit-receive switch
- clock generator

3.6.1. 2.4 GHz Receiver

The 2.4 GHz receiver down-converts the 2.4 GHz RF signal to quadrature baseband signals and converts them to the digital domain with 2 high-resolution, high-speed ADCs. To adapt to varying signal channel conditions, RF filters, Automatic Gain Control (AGC), DC offset cancelation circuits and baseband filters are integrated within ESP32.

3.6.2. 2.4 GHz Transmitter

The 2.4 GHz transmitter up-converts the quadrature baseband signals to the 2.4 GHz RF signal, and drives the antenna with a high powered Complementary Metal Oxide Semiconductor (CMOS) power amplifier. The use of digital calibration further improves the linearity of the power amplifier, enabling state-of-the-art performance of delivering +20.5 dBm of average power for 802.11b transmission and +17 dBm for 802.11n transmission.

Additional calibrations are integrated to cancel any imperfections of the radio, such as:

- Carrier leakage
- I/Q phase matching



- Baseband nonlinearities
- RF nonlinearities
- Antenna matching

These built-in calibration routines reduce the amount of time and test equipment required for production testing.

3.6.3. Clock Generator

The clock generator generates quadrature 2.4 GHz clock signals for the receiver and transmitter. All components of the clock generator are integrated on the chip, including all inductors, varactors, filters, regulators and dividers.

The clock generator has built-in calibration and self test circuits. Quadrature clock phases and phase noise are optimized on-chip with patented calibration algorithms to ensure the best performance of the receiver and transmitter.

3.7. Bluetooth

ESP32 integrates Bluetooth link controller and Bluetooth baseband, which carry out the baseband protocols and other low-level link routines, such as modulation/demodulation, packets processing, bit stream processing, frequency hopping, etc.

- **Radio**
 - Supports class-1, class-2 and class-3 transmit output powers and over 30 dB dynamic control range
 - Supports $\pi/4$ DQPSK and 8DPSK modulation
 - High performance in receiver sensitivity with over 90 dB dynamic range
 - Supports class-1 operation without external PA
- **Baseband**
 - Internal SRAM allows full speed data transfer, mixed voice and data, and full piconet operation
 - Logic for forward error correction, header error control, access code correlation, CRC, demodulation, encryption bit stream generation, whitening and transmit pulse shaping
 - Supports ACL, SCO, eSCO and AFH
 - Supports A-law, μ -law and CVSD digital audio CODEC in PCM interface
 - Supports SBC audio CODEC
 - Supports power management for low power applications
 - Supports SMP with 128-bit AES
- **Interface**
 - Provides UART HCI interface, up to 4 Mbps
 - Provides SDIO / SPI HCI interface
 - Provides I2C interface for the host to do configuration
 - Provides PCM / I2S audio interface



- **Bluetooth Stack**
 - Compliant with Bluetooth v4.2 BR / EDR and BLE specification

3.8. Wi-Fi

ESP32 implements TCP/IP, full 802.11 b/g/n/e/i WLAN MAC protocol, and Wi-Fi Direct specification. It supports Basic Service Set (BSS) STA and SoftAP operations under the Distributed Control Function (DCF) and P2P group operation compliant with the latest Wi-Fi P2P protocol.

The ESP32 **Wi-Fi Radio and Baseband** support the following features:

- 802.11b and 802.11g data-rates
- 802.11n MCS0~7 in both 20 MHz and 40 MHz bandwidth
- 802.11n MCS32
- 802.11n 0.4 uS guard-interval
- Data-rate up to 150 Mbps
- Receiving STBC 2x1
- Up to 21 dbm transmitting power
- Adjustable transmitting power
- Antenna diversity and selection (software managed hardware)

The ESP32 **Wi-Fi MAC** applies low level protocol functions automatically as follows:

- Request To Send (RTS), Clear To Send (CTS) and Acknowledgement (ACK/BA)
- Fragmentation and defragmentation
- Aggregation AMPDU and AMSDU
- WMM power save U-APSD
- Multiple transmitting queue management to fully utilize QoS traffic prioritization defined by 802.11e standard
- CCMP (CBC-MAC, counter mode), TKIP (MIC, RC4), WAPI (SMS4), WEP (RC4) and CRC
- Frame encapsulation (802.11h/RFC 1042)
- Automatic beacon monitoring / scanning

The ESP32 **Wi-Fi Firmware** provides the following functions:

- Infrastructure BSS Station mode / P2P mode / softAP mode support
- P2P Discovery, P2P Group Owner mode and P2P Power Management
- WPA/WPA2 PSK and WPS driver
- Additional 802.11i security features such as pre-authentication and TSN
- Open interface for various upper layer authentication schemes over EAP such as TLS, PEAP, LEAP, SIM, AKA or customer specific
- Clock/power gating combined with 802.11-compliant power management dynamically adapted to current connection condition providing minimal power consumption
- Adaptive rate fallback algorithm sets the optimal transmission rate and transmit power



based on actual Signal Noise Ratio (SNR) and packet loss information

- Automatic retransmission and response on MAC to avoid packet discarding on slow host environment

ESP32 has a configurable **Packet Traffic Arbitration (PTA)** that provides flexible and exact timing Bluetooth co-existence support. It is a combination scheme of both Frequency Division Multiplexing (FDM) and Time Division Multiplexing (TDM), and involves both the protocol stacks.

- It is better that Wi-Fi works in the 20 MHz bandwidth mode to decrease the interference with BT.
- BT applies AFH (Adaptive Frequency Hopping) to avoid using the channels within Wi-Fi bandwidth.
- Wi-Fi MAC limits the time duration of Wi-Fi packets, and does not transmit the long Wi-Fi packets by the lowest data-rates.
- Normally BT packets are of higher priority than normal Wi-Fi packets.
- Protect the critical Wi-Fi packets, including beacon transmission and receiving, ACK/BA transmission and receiving.
- Protect the highest BT packets, including inquiry response, page response, LMP data and response, park beacons, the last poll period, SCO/eSCO slots, BLE event sequence.
- Wi-Fi MAC apply CTS-to-self packet to protect the time duration of BT transfer.
- In the P2P Group Own (GO) mode, Wi-Fi MAC applies a Notice of Absence (NoA) packet to disable Wi-Fi transfer to reserve time for BT.
- In the STA Mode, Wi-Fi MAC applies a NULL packet with the Power-Save bit to disable WiFi transfer to reserve time for BT.

3.9. Low-Power Management

With the advanced power management technologies, ESP32 can be switched to different power modes (see Table 3-4).

- **Power mode**
 - **Shutdown (Turn-off):** RTC is disabled and all registers are cleared. The chip is totally powered down.
 - **Active mode:** In the active mode, the chip radio is powered on. The chip can receive, transmit, or listen.
 - **Modem sleep mode:** In the modem sleep mode, the CPU is operational and the clock is configurable. The Wi-Fi / Bluetooth baseband and radio are disabled.
 - **Light sleep mode:** The CPU is paused in the light sleep mode. The RTC and ULP-coprocessor are running. Any wake-up events (MAC, host, RTC timer, or external interrupts) will wake up the chip.
 - **Deep sleep mode:** Only RTC is powered on. Wi-Fi and Bluetooth connection data are stored in RTC memory. The ULP-coprocessor can work.
- **Sleep Pattern**



- **Association sleep pattern:** The power mode switches between the active mode and light sleep mode during this sleep pattern. The CPU, Wi-Fi, Bluetooth, and radio are woken up at pre-determined intervals to keep Wi-Fi / BT connections alive.
- **Sensor-monitored deep sleep pattern:** The ULP co-processor is enabled or disabled at intervals depending on the measured data from sensors.

Table 3-3. Functionalities depending on the power modes

Power mode	Active mode	Light sleep	Modem sleep	Deep sleep	Shutdown (Turn-off)
Sleep pattern	Association sleep		-	Sensor-monitored deep sleep	-
CPU	ON	PAUSE	ON	OFF	OFF
Wi-Fi / BT baseband and radio	ON	OFF	OFF	OFF	OFF
RTC	ON	ON	ON	ON	OFF
ULP coprocessor	ON	ON	ON	ON/OFF	OFF

The power consumption varies with different power modes/sleep patterns and work status of functional modules (see Table 3-5).

Table 3-4: Power consumption by power modes

Power mode	Comment	Power consumption
Active mode (RF working)	Wi-Fi Tx packet 13 dBm - 21 dBm	160 - 260 mA
	Wi-Fi / BT Tx packet 0 dBm	120 mA
	Wi-Fi / BT Rx and listening	80 - 90 mA
	Association sleep pattern (by light sleep)	0.9 mA@DTIM3 1.2 mA@DTIM1
Modem sleep	The CPU is powered on	Max speed: 20 mA Normal: 5 - 10 mA Slow speed: 3 mA
Light sleep		0.8 mA
Deep sleep	The ULP-coprocessor is powered on	0.5 mA
	Sensor-monitored deep sleep pattern	25 uA @1% duty
	RTC timer + recovery-memory	20 uA
	RTC timer only	5 uA
Shutdown (Turn-off)		2 uA

Note :

For more information about RF power consumption, please refer to “Chapter 5.1.3 RF Power Consumption Specification”.



4. Peripheral Interfaces

4.1. General Purpose Input / Output Interface (GPIO)

ESP32 has 36 GPIO pins, which can be assigned to various functions by programming the appropriate registers. There are several kinds of GPIOs: digital only GPIOs, analog enabled GPIOs, capacitive touch enabled GPIOs, etc. Analog enabled GPIOs can be configured as digital GPIOs. Capacitive touch enabled GPIOs can be configured as digital GPIOs.

Each digital enabled GPIO can be configured with internal pull-up or pull-down, or set to high impedance. When configured as an input, the data are stored in software registers. The input can also be set to edge-trigger or level-trigger CPU interrupts. In short, the digital IO pads are bi-directional, non-inverting and tristate, which include input and output buffer with tristate control inputs.

These pins can be multiplexed with other functions, such as the SDIO interface, UART, SI, etc. For low power operations, the GPIOs can be set to hold their states.

4.2. Analog-to-Digital Converter (ADC)

ESP32 integrates 12-bit SAR ADCs and supports measurements on 16 channels (analog enabled pads). Some of these pads can be used to build a programmable gain amplifier which is used for the measurement of small analog signals. The ULP-coprocessor in ESP32 is also designed to measure the voltages while operating in the sleep mode, to enable low power consumption; the CPU can be woken up by a threshold setting and/or via other triggers.

With the appropriate setting, the ADCs and the amplifier can be configured to measure voltages for a maximum of 16 pads.

4.3. Ultra Low Noise Analog Pre-Amplifier

ESP32 integrates an ultra low noise analog pre-amplifier that outputs to the ADC. The amplification ratio is given by the size of a pair of input sampling capacitors that are placed off-chip. By using a larger capacitor, the sampling noise is reduced, but the settling time will be increased. The amplification ratio is also limited by the amplifier which peaks at about 60dB gain.

4.4. Hall Sensor

ESP32 integrates a Hall sensor that outputs to the ADC. The Hall sensor is based on an N-carrier resistor; when a current flows in the presence of a magnetic field, it develops a small voltage laterally on the resistor, which can be amplified by a low-power, ultra low noise amplifier and measured by the ADC.



4.5. Digital-to-Analog Converter (DAC)

Two 8-bit DAC channels can be used to convert two digital signals into two analog voltage signal outputs. The design structure is composed of integrated resistor strings and a buffer. This dual DAC supports input voltage reference power supply and dual channel independent or simultaneous conversions.

4.6. Temperature Sensor

The temperature sensor generates a voltage that varies with temperature. The voltage is internally converted via an analog-to-digital converter into a digital code.

The temperature sensor has a range of -40°C to 125°C . As the offset of the temperature sensor varies from chip to chip due to process variation, and due to the heat generated by the Wi-Fi circuitry itself (which affects measurements), the internal temperature sensor is only suitable for applications that detect temperature changes instead of absolute temperatures and for calibration purposes as well.

However, if the user calibrates the temperature sensor and uses the device in a minimally powered-on application, the results could be accurate enough.

4.7. Touch Sensor

ESP32 offers 10 capacitive sensing GPIOs which detect capacitive variations introduced by the GPIO's direct contact or close proximity with a finger or other objects. The low noise nature of the design and high sensitivity of the circuit allows relatively small pads to be used. Arrays of pads can also be used so that a larger area or more points can be detected. The 10 capacitive sensing GPIOs are listed in Table 4-1.

Table 4-1. Capacitive sensing GPIOs available on ESP32

Capacitive sensing signal name	Pin name
T0	GPIO4
T1	GPIO0
T2	GPIO2
T3	MTDO
T4	MTCK
T5	MTD1
T6	MTMS
T7	GPIO27
T8	32K_XN
T9	32K_XP



Note :

For more information about the touch sensor design and layout, please refer to “Appendix - Touch Sensor”.

4.8. Ultra-Lower-Power Coprocessor

The ULP processor and RTC memory remains powered on during deep sleep. Hence, the developer can store a program for the ULP processor in the RTC memory to access the peripheral devices, internal timers and internal sensors during deep sleep. This is useful for designing applications where the CPU needs to be woken up by an external event, or timer, or a combination of these events, while maintaining minimal power consumption.

4.9. Ethernet MAC Interface

An IEEE-802.3-2008-compliant Media Access Controller (MAC) is provided for Ethernet LAN communications. ESP32 requires an external physical interface device (PHY) to connect to the physical LAN bus (twisted-pair, fiber, etc.). The PHY is connected to the ESP MII port using 17 signals for MII, 9 signals for RMII, 6 signals for SMII or 8 signals for SS-SMII. With the Ethernet MAC interface, the following features are supported:

- 10 Mbps and 100 Mbps rates
- Dedicated DMA controller allowing high-speed transfer between the dedicated SRAM and the descriptors
- Tagged MAC frame (VLAN support)
- Half-duplex (CSMA / CD) and full-duplex operation
- MAC control sublayer (control frames)
- 32-bit CRC generation and removal
- Several address filtering modes for physical and multicast address (multicast and group addresses)
- 32-bit status code for each transmitted or received frame
- Internal FIFOs to buffer transmit and receive frames. The transmit FIFO and the receive FIFO are both 256 bytes
- Hardware PTP (precision time protocol) in accordance with IEEE 1588 2008 (PTP V2)
- 25 MHz / 50 MHz clock output

4.10. SD / SDIO / MMC Host Controller

An SD/SDIO/MMC host controller is available on ESP32, and it supports:

- Secure Digital memory (SD mem Version 3.0 and Version 3.01)
- Secure Digital I/O (SDIO Version 3.0)
- Consumer Electronics Advanced Transport Architecture (CE-ATA Version 1.1)
- Multimedia Cards (MMC Version 4.41, eMMC Version 4.5 and Version 4.51)



The controller allows data transfer at up to 80 MHz and in three different data-bus modes: 1-bit, 4-bit and 8-bit. It supports two SD / SDIO / MMC4.41 cards in 4-bit data-bus mode. It also supports one card operating at 1.8V level.

4.11. Universal Asynchronous Receiver Transmitter (UART)

ESP32 has two UART interfaces, i.e. UART0 and UART1, which provide asynchronous communication (RS232 and RS485) and IrDA support, and communicate at up to 5 Mbps. UART provides hardware management of the CTS and RTS signals and software flow control (XON and XOFF). Both of the interfaces can be served by the DMA controller or CPU direct access.

4.12. I2C Interface

ESP32 has two I2C bus interfaces which can serve as I2C master or slave depending on the user's configuration. The I2C interfaces support:

- Standard mode (100 kbit/s)
- Fast mode (400 kbit/s)
- Up to 5 MHz, but constrained by SDA line pull up strength
- 7/10-bit addressing mode
- 7-bit dual addressing mode

Users can program command registers to control I2C interfaces to have more flexibility. TXFIFO and RXFIFO are used to support multiple commands at a time.

4.13. I2S Interface

Two standard I2S interfaces are available in ESP32. They can be operated in the master or slave mode, in full duplex and half-duplex communication modes, and can be configured to operate with an 8-/16-/32-/40-/48-bit resolution as input or output channels. BCK clock frequency from 10 kHz up to 40 MHz are supported. When one or both of the I2S interfaces are configured in the master mode, the master clock can be output to the external DAC / CODEC at 64 times the sampling frequency.

Both of the I2S interfaces can be serviced by the DMA controller. PDM and BT PCM interfaces are supported.

4.14. Remote Controller

The remote controller supports eight channels of remote transmissions and receive streams. Through programming the pulse waveform, it supports various remote protocols. Eight channels share a 512 x 32-bit block of memory to store the transmitting or receiving waveform.



4.15. Pulse Counter

The pulse counter captures pulse and counts pulse edges through seven modes. It captures four groups at a time. The input in each group includes two pulse signals and two control signals. When the counter reaches a defined threshold, an interrupt is generated.

4.16. Pulse Width Modulation

The Pulse Width Modulation(PWM) controller can be used for driving digital motors applications. The controller consists of PWM timers, PWM sub-controllers and a dedicated capture sub-module. Each timer provides timing in synced or free-run form, and each PWM sub-controller generates the waveform for one PWM channel. The dedicated sub-module can accurately capture external timing events.

4.17. LED PWM

The LED PWM controller can generate 16 independent channels of digital waveforms with the configurable periods and configurable duties.

Each channel houses a 20-bit timer running at 80 MHz. In each 20-bit timer, a 20-bit register configures the period, and the other two 20-bit registers determine the rising and falling edge of the pulse. Therefore, the period of the PWM can be from 1/80 s to 1/40 us, and the accuracy of the duty can be up to 16-bit with the 1ms period.

The software can change the duty immediately. Moreover, each channel supports step-by-step duty increasing or decreasing automatically. It is useful for the LED RGB color gradient generator.

4.18. Serial Peripheral Interface (SPI)

ESP32 features three SPIs (SPI, HSPI and VSPI) in slave and master modes in 1-line full-duplex and 1/2/4-line simplex communication modes. These SPIs also support:

- 4 timing modes of the SPI format transfer that depend on the polarity (POL) and the phase (PHA)
- up to 80 MHz and the divided clocks of 80 MHz
- up to 64 Byte FIFO

This interface can be used to connect to the external flash / SRAM and LCD. All SPIs can be served by the DMA controller.



5. Electrical Specifications

5.1. DC Electrical Characteristics

5.1.1. Absolute Maximum Ratings

Table 5-1. Absolute maximum ratings

Parameter	Symbol	Min	Max	Unit
Input low voltage	V_{IL}	-0.3	$0.25 \times V_{IO}$	V
Input high voltage	V_{IH}	$0.75 \times V_{IO}$	3.3	V
Input leakage current	I_{IL}	-	50	nA
Output low voltage	V_{OL}	-	$0.1 \times V_{IO}$	V
Output high voltage	V_{OH}	$0.8 \times V_{IO}$	-	V
Input pin capacitance	C_{pad}		2	pF
VDDIO	V_{IO}	1.8	3.3	V
Maximum drive capability	I_{MAX}		12	mA
Storage temperature range	T_{STR}	-40	150	°C

5.1.2. Recommended Operating Conditions

Table 5-2. Recommended operating conditions

Parameter	Symbol	Min	Typ	Max	Unit
Battery regulator supply voltage	V_{BAT}	2.8	3.3	3.6	V
I/O supply voltage	V_{IO}	1.8	3.3	3.6	V
Operating temperature range	T_{OPR}	-40	-	125	°C
CMOS low level input voltage	V_{IL}	0	-	$0.3 \times V_{IO}$	V
CMOS high level input voltage	V_{IH}	$0.7 \times V_{IO}$	-	V_{IO}	V
CMOS threshold voltage	V_{TH}	-	$0.5 \times V_{IO}$		V



5.1.3. RF Power Consumption Specification

The current consumption measurements are conducted with 3.0V supply and 25°C ambient. Measurements are done at antenna port. All the transmitters' measurements are based on 90% duty cycle and continuous transmit mode.

Table 5-3. RF power consumption specification

Mode	Min	Typ	Max	Unit
Transmit 802.11b, DSSS 1 Mbps, POUT=+19.5 dBm	-	225	-	mA
Transmit 802.11b, CCK 11 Mbps, POUT=+18.5 dBm	-	205	-	mA
Transmit 802.11g, OFDM 54 Mbps, POUT=+16 dBm	-	160	-	mA
Transmit 802.11n, MCS7, POUT=+14 dBm	-	152	-	mA
Receive 802.11b, packet length=1024 byte, -80 dBm	-	85	-	mA
Receive 802.11g, packet length=1024 byte, -70 dBm	-	85	-	mA
Receive 802.11n, packet length=1024 byte, -65 dBm	-	80	-	mA
Receive 802.11n HT40, packet length=1024 byte, -65 dBm	-	80	-	mA



5.2. Bluetooth Radio

5.2.1. Receiver - Basic Data Rate

Table 5-4. Receiver characteristics - basic data rate

Parameter	Conditions	Min	Typ	Max	Unit
General Specifications ($V_{BAT} = 3.3V$, $T_A = 27^{\circ}C$, unless otherwise specified)					
Sensitivity @0.1% BER		-	-90	-	dBm
Maximum received signal @0.1% BER		0	-	-	dBm
Co-channel C/I		-	+7	-	dB
Adjacent channel selectivity C/I	F=F0 + 1 MHz	-	-	-6	dB
	F=F0 - 1 MHz	-	-	-6	dB
	F=F0 + 2 MHz	-	-	-33	dB
	F=F0 - 2 MHz	-	-	-25	dB
	F=F0 + 3 MHz	-	-	-45	dB
	F=F0 - 3 MHz	-	-	-25	dB
Out-of-band blocking performance	30 MHz-2000 MHz	-10	-	-	dBm
	2000 MHz-2400 MHz	-27	-	-	dBm
	2500 MHz-3000 MHz	-27	-	-	dBm
	3000 MHz-12.5 GHz	-10	-	-	dBm
Intermodulation		-36	-	-	dBm



5.2.2. Transmit - Basic Data Rate

Table 5-5. Transmit characteristics - basic data rate

Parameter	Conditions	Min	Typ	Max	Unit
General Specifications ($V_{BAT} = 3.3V$, $T_A = 27^\circ C$, unless otherwise specified)					
RF transmit power	-	-	+4	+4	dBm
RF power control range	-	-	25	-	dB
20 dB bandwidth	-	-	0.9	-	MHz
Adjacent channel transmit power	F=F0 + 1 MHz	-	-24	-	dBm
	F=F0 - 1 MHz	-	-16.1	-	dBm
	F=F0 + 2 MHz	-	-40.8	-	dBm
	F=F0 - 2 MHz	-	-35.6	-	dBm
	F=F0 + 3 MHz	-	-45.7	-	dBm
	F=F0 - 3 MHz	-	-40.2	-	dBm
	F=F0 + >3 MHz	-	-45.6	-	dBm
	F=F0 - >3 MHz	-	-44.6	-	dBm
Δf_{1avg} Maximum modulation	-	-	155	-	kHz
Δf_{2max} Minimum modulation	-	-	133.7	-	kHz
$\Delta f_{2avg} / \Delta f_{1avg}$	-	-	0.92	-	-
ICFT	-	-	-7	-	kHz
Drift rate	-	-	0.7	-	kHz/50 us
Drift (1 slot packet)	-	-	6	-	kHz
Drift (5 slot packet)	-	-	6	-	kHz



5.2.3. Receiver - Enhanced Data Rate

Table 5-6. Receiver characteristics - enhanced data rate

Parameter	Conditions	Min	Typ	Max	Unit
General Specifications (V _{BAT} = 3.3V, T _A = 27°C, unless otherwise specified)					
$\pi/4$ DQPSK					
Sensitivity @0.01% BER	-	-	-91	-	dBm
Maximum received signal @0.1% BER	-	-	0	-	dBm
C/I c-channel	-	-	11	-	dB
Adjacent channel selectivity C/I	F=F ₀ + 1 MHz	-	-7	-	dB
	F=F ₀ - 1 MHz	-	-7	-	dB
	F=F ₀ + 2 MHz	-	-35	-	dB
	F=F ₀ - 2 MHz	-	-25	-	dB
	F=F ₀ + 3 MHz	-	-45	-	dB
	F=F ₀ - 3 MHz	-	-25	-	dB
8DPSK					
Sensitivity @0.01% BER	-	-	-84	-	dBm
Maximum received signal @0.1% BER	-	0	-	-	dBm
C/I c-channel	-	-	18	-	dB
Adjacent channel selectivity C/I	F=F ₀ + 1 MHz	-	2	-	dB
	F=F ₀ - 1 MHz	-	2	-	dB
	F=F ₀ + 2 MHz	-	-25	-	dB
	F=F ₀ - 2 MHz	-	-25	-	dB
	F=F ₀ + 3 MHz	-	-38	-	dB
	F=F ₀ - 3 MHz	-	-38	-	dB



5.2.4. Transmit - Enhanced Data Rate

Table 5-7. Transmit characteristics - enhanced data rate

Parameter	Conditions	Min	Typ	Max	Unit
General Specifications (VBAT = 3.3V, TA = 27°C, unless otherwise specified)					
Maximum RF transmit power	-	-	+2	-	dBm
Relative transmit control	-	-	-1.5	-	dB
$\pi/4$ DQPSK max w_0	-	-	-0.72	-	kHz
$\pi/4$ DQPSK max w_i	-	-	-6	-	kHz
$\pi/4$ DQPSK max $ w_i + w_0 $	-	-	-7.42	-	kHz
8DPSK max w_0	-	-	0.7	-	kHz
8DPSK max w_i	-	-	-9.6	-	kHz
8DPSK max $ w_i + w_0 $	-	-	-10	-	kHz
$\pi/4$ DQPSK modulation accuracy	RMS DEVM	-	4.28	-	%
	99% DEVM	-	-	30	%
	Peak DEVM	-	13.3	-	%
8DPSK modulation accuracy	RMS DEVM	-	5.8	-	%
	99% DEVM	-	-	20	%
	Peak DEVM	-	14	-	%
In-band spurious emissions	F=F0 + 1MHz	-	-34	-	dBm
	F=F0 - 1MHz	-	-40.2	-	dBm
	F=F0 + 2MHz	-	-34	-	dBm
	F=F0 - 2MHz	-	-36	-	dBm
	F=F0 + 3MHz	-	-38	-	dBm
	F=F0 - 3MHz	-	-40.3	-	dBm
	F=F0 +/- > 3MHz	-	-	-41.5	dBm
EDR differential phase coding	-	-	100	-	%



5.3. Bluetooth LE Radio

5.3.1. Receiver

Table 5-8. Receiver characteristics - BLE

Parameter	Conditions	Min	Typ	Max	Unit
General Specifications (VBAT = 3.3V, TA = 27°C, unless otherwise specified)					
Sensitivity @0.1% BER		-	-92	-	dBm
Maximum received signal @0.1% BER		0	-	-	dBm
Co-channel C/I		-	+10	-	dB
Adjacent channel selectivity C/I	F=F0 + 1 MHz	-	-5	-	dB
	F=F0 - 1 MHz	-	-5	-	dB
	F=F0 + 2 MHz	-	-35	-	dB
	F=F0 - 2 MHz	-	-25	-	dB
	F=F0 + 3 MHz	-	-45	-	dB
	F=F0 - 3 MHz	-	-25	-	dB
Out-of-band blocking performance	30 MHz-2000 MHz	-10	-	-	dBm
	2000 MHz-2400 MHz	-27	-	-	dBm
	2500 MHz-3000 MHz	-27	-	-	dBm
	3000 MHz-12.5 GHz	-10	-	-	dBm
Intermodulation		-36	-	-	dBm



5.3.2. Transmit

Table 5-9. Transmit characteristics - BLE

Parameter	Conditions	Min	Typ	Max	Unit
General Specifications (VBAT = 3.3V, TA = 27°C, unless otherwise specified)					
RF transmit power	-	-	+7.5	+10	dBm
RF power control range	-	-	25	-	dB
Adjacent channel transmit power	F=F0 + 1 MHz	-	-14.6	-	dBm
	F=F0 - 1 MHz	-	-12.7	-	dBm
	F=F0 + 2 MHz	-	-44.3	-	dBm
	F=F0 - 2 MHz	-	-38.7	-	dBm
	F=F0 + 3 MHz	-	-49.2	-	dBm
	F=F0 - 3 MHz	-	-44.7	-	dBm
	F=F0 + >3 MHz	-	-50	-	dBm
	F=F0 - > 3MHz	-	-50	-	dBm
$\Delta f_{1_{avg}}$ Maximum modulation	-	-	265	-	kHz
$\Delta f_{2_{max}}$ Minimum modulation	-	-	247	-	kHz
$\Delta f_{2_{avg}}/\Delta f_{1_{avg}}$	-	-	-0.92	-	-
ICFT	-	-	-10	-	kHz
Drift rate	-	-	0.7	-	kHz/50 us
Drift	-	-	2	-	kHz



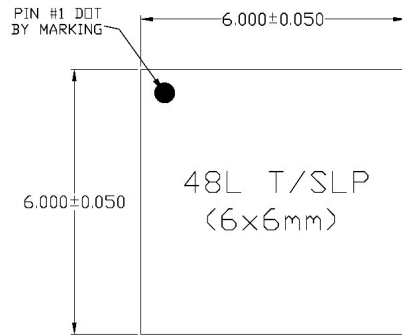
5.4. Wi-Fi Radio

Table 5-10. Wi-Fi radio characteristics

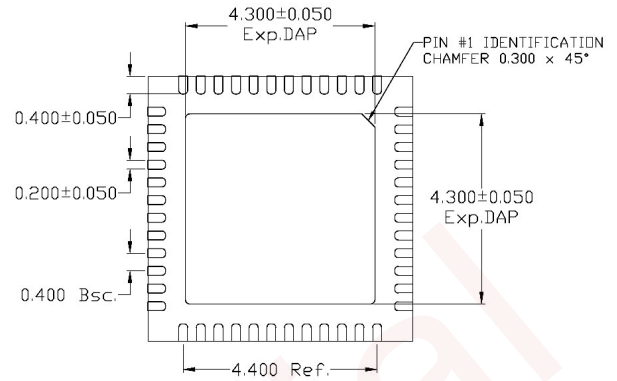
Description	Min	Typical	Max	Unit
General Specifications (VBAT = 3.3V, TA = 27°C, unless otherwise specified)				
Input frequency	2412	-	2484	MHz
Input impedance	-	50	-	Ω
Input reflection	-	-	-10	dB
Output power of PA for 72.2 Mbps	15.5	16.5	17.5	dBm
Output power of PA for 11b mode	19.5	20.5	21.5	dBm
Sensitivity				
DSSS, 1 Mbps	-	-98	-	dBm
CCK, 11 Mbps	-	-91	-	dBm
OFDM, 6 Mbps	-	-93	-	dBm
OFDM, 54 Mbps	-	-75	-	dBm
HT20, MCS0	-	-93	-	dBm
HT20, MCS7	-	-73	-	dBm
HT40, MCS0	-	-90	-	dBm
HT40, MCS7	-	-70	-	dBm
MCS32	-	-89	-	dBm
Adjacent Channel Rejection				
OFDM, 6 Mbps	-	37	-	dB
OFDM, 54 Mbps	-	21	-	dB
HT20, MCS0	-	37	-	dB
HT20, MCS7	-	20	-	dB



6. Package Information



TOP VIEW

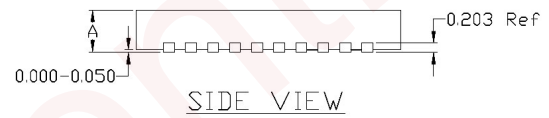


BOTTOM VIEW

NOTE:

1) TSLP AND SLP SHARE THE SAME EXPOSE OUTLINE BUT WITH DIFFERENT THICKNESS:

		TSLP	SLP
A	MAX.	0.800	0.900
	NOM.	0.750	0.850
	MIN.	0.700	0.800



SIDE VIEW

Figure 4. QFN48 package



7. Supported Resources

7.1. Related Documentation

The following documents provide related documents of ESP32.

- [ESP32 Getting Started Guide](#)
How to download ESP32-LAUNCHER firmware and configure with related tools.
- [ESP32 Programming Guide](#)
How to program with ESP32 SDK, with some related programming examples.
- [ESP32 API Reference](#)
Detailed description of ESP32 Application Programming Interfaces (APIs).

7.2. Community Resources

The following links connect to ESP32 community resources.

- [ESP32 Online Community](#)
An Engineer-to-Engineer (E2E) Community for ESP32 at www.esp32.com, where you can ask questions, share knowledge, explore ideas and help solve problems with fellow engineers.
- [ESP32 Github](#)
ESP32 development projects are freely distributed under Espressif's MIT license on Github. Established to help developers get started with ESP32 and foster innovation and the growth of general knowledge about the hardware and software surrounding these devices.



Appendix - Touch Sensor

A touch sensor system is built on a substrate which carries electrodes and relevant connections with a flat protective surface. When a user touches the surface, the capacitance variation is triggered, and a binary signal is generated to indicate whether the touch is valid.

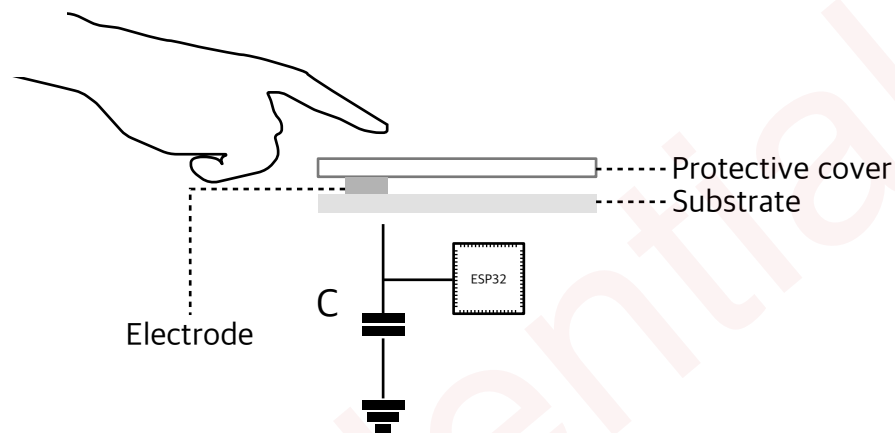


Figure 5. A typical touch sensor application

In order to prevent capacitive coupling and other electrical interference to the sensitivity of the touch sensor system, the following factors should be taken into account.

I. Electrode Pattern

The proper size and shape of an electrode helps improve system sensitivity. Round, oval, or shapes similar to a human fingertip is commonly applied. Large size or irregular shape might lead to incorrect responses from nearby electrodes.

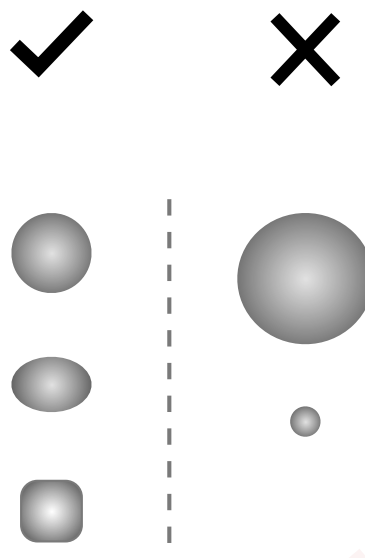


Figure 6. Electrode pattern requirements

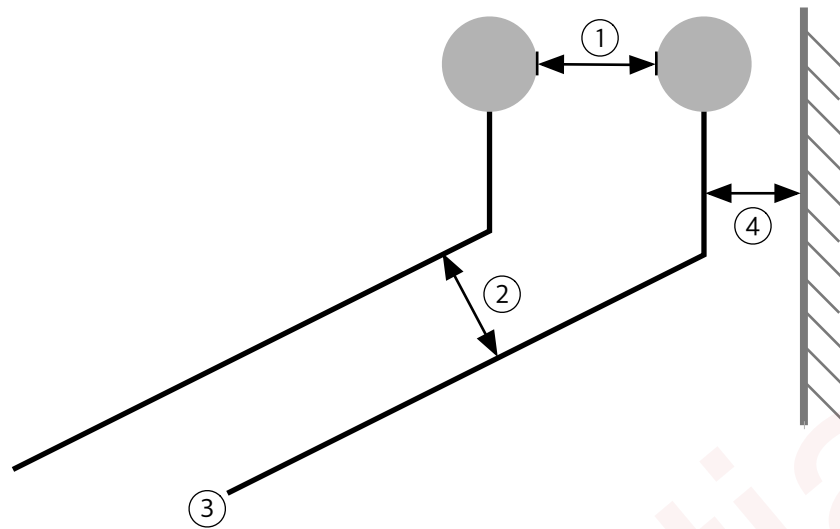
Note :

The examples illustrated in Figure 6 are not of actual scale. It is suggested that the user take a human fingertip as reference.

II. PCB Layout

The recommendations for correctly routing sensing tracks of electrodes are as follows:

- The short distance between electrodes allows crosstalk between electrodes and false touch detections. It is suggested that the distance be at least twice the thickness of the panel used.
- The width of a sensor track impacts parasitic capacitance variation. The thinner the track is, the less capacitive coupling it generates. It is suggested that the track width be kept as thin as possible and the length not exceed 10cm to accommodate standard PCBs or FlexPCBs.
- To avoid creating coupling with lines driving high frequency signals, it is recommended that the sensing tracks be routed parallel to each other on the same layer and the distance between the tracks be at least twice the width of the track.
- When designing a touch sensor device, it is required to have no components adjacent to or underneath the electrodes; only the electrodes have the sensitivity to the touch.
- Do not ground the touch sensor device. It is highly suggested no ground layer be routed under the device, as the parasitic capacitance generated between the touch sensor device and the ground significantly degrades sensitivity.



- ① Distance between electrodes - Twice the thickness of the panel
- ② Distance between tracks - Twice the track width
- ③ Width of the track (electrode wiring) - As thin as possible
- ④ Distance between track and ground plane - 2mm at a minimum

Figure 7. Sensor track routing requirements



Espressif Systems

IOT Team

<http://bbs.espressif.com>

Disclaimer and Copyright Notice

Information in this document, including URL references, is subject to change without notice.

THIS DOCUMENT IS PROVIDED AS IS WITH NO WARRANTIES WHATSOEVER, INCLUDING ANY WARRANTY OF MERCHANTABILITY, NON-INFRINGEMENT, FITNESS FOR ANY PARTICULAR PURPOSE, OR ANY WARRANTY OTHERWISE ARISING OUT OF ANY PROPOSAL, SPECIFICATION OR SAMPLE. All liability, including liability for infringement of any proprietary rights, relating to use of information in this document is disclaimed. No licenses express or implied, by estoppel or otherwise, to any intellectual property rights are granted herein.

The Wi-Fi Alliance Member logo is a trademark of the Wi-Fi Alliance. The Bluetooth logo is a registered trademark of Bluetooth SIG.

All trade names, trademarks and registered trademarks mentioned in this document are property of their respective owners, and are hereby acknowledged.

Copyright © 2015 Espressif Systems Inc. All rights reserved.